

Auxiliary Channels

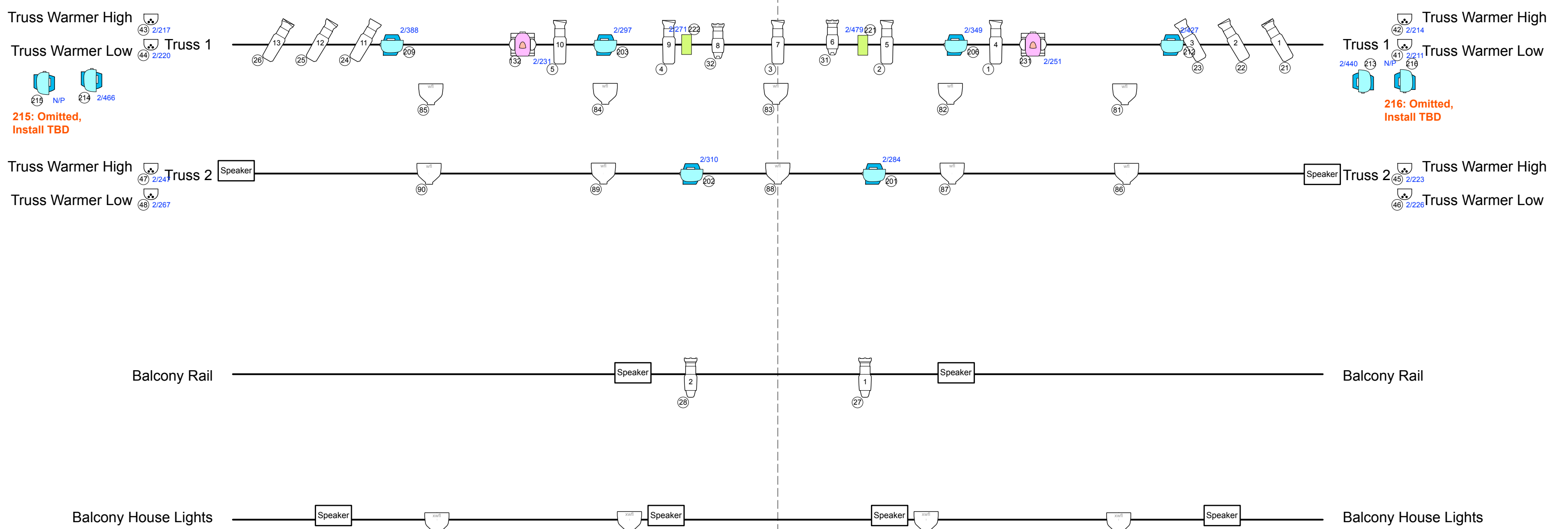
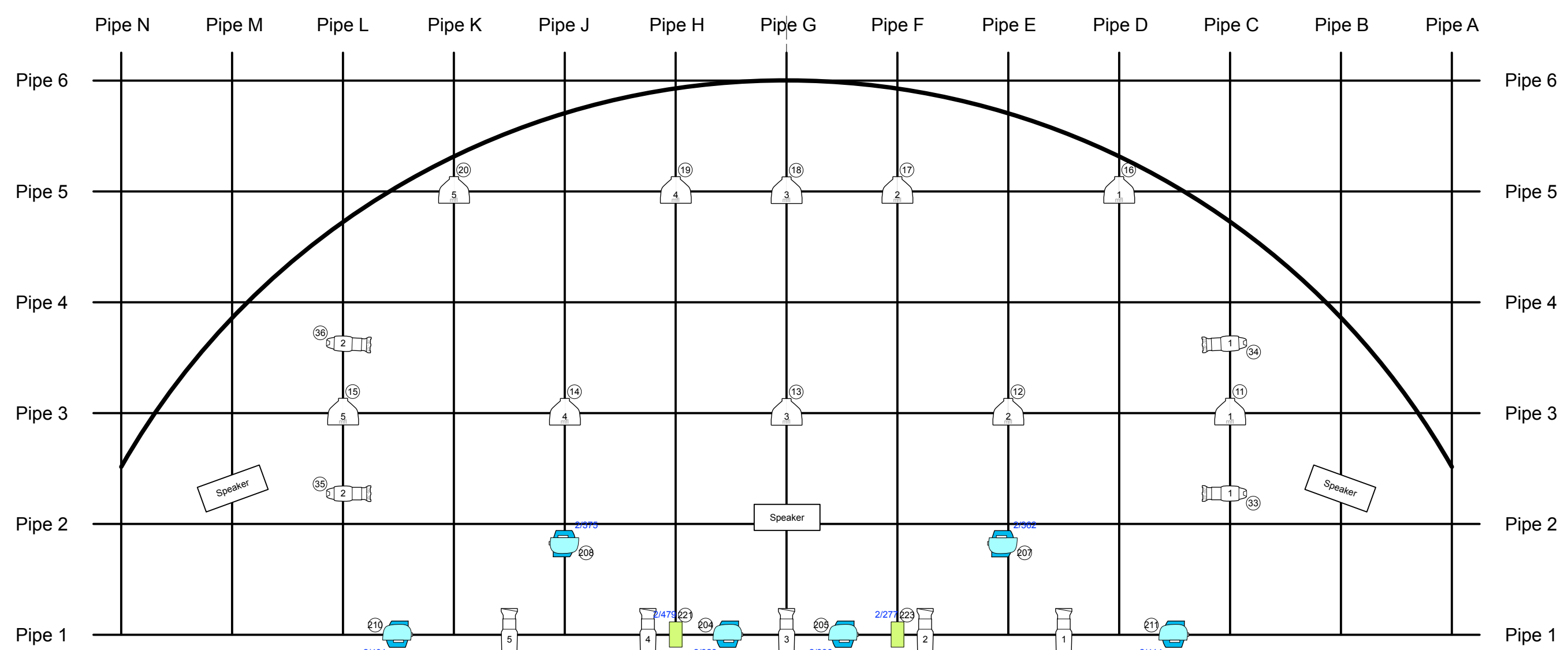
- (95) Lobby Lights
- (96) Lobby Lights
- (97) Lobby Lights
- (98) Lobby Lights
- (99) Lobby Lights
- (100) Work Lights

Instrumentation Key

- DMX Pin Spot RGBW
- 20" Mirror Ball With DMX Variable Motor
- ADJ Pocket Pro 25w
- Martin Rush MH5 165w
- ColorSource Par MFL
- ColorSource Par WFL
- ColorSource Par XWFL
- SourceFour Jr. Zoom
- SourceFour Zoom
- ColorSource Spot 19 deg
- ColorSource Spot 26 deg
- ColorSource Spot 36 deg
- Chauvet SlimPar 56 LED
- Renkus-Heinz IC2R
- Renkus-Heinz CFX-81

Legend

Unit Number → → Channel



Notes:

- Truss positions are not drawn in position.
- House lights are overhung on truss positions.
- Subwoofers are Renkus Heinz UF 18 S-5 and are located above the lighting grid out of sight.